

VIDEO SIGNAL SURGE PROTECTION



IMG2-03S (custom base plate)

The **IMG** video protection system employs a multi-stage hybrid suppression circuit designed for high exposure applications. The design of this circuit is characterized by its uniquely high surge capacity and low clamp voltage. In addition, the IMG series features “Positive Temperature Coefficient Thermistors” - an advancement in the mitigation of sneak currents. The IMG enclosure is CNC machined from aluminum alloy providing the ultimate in RF shielding in a compact, low-profile (.75” high) form factor. Multiple units may be vertically stacked to provide the ultimate in “real estate” utilization.

Performance Capabilities:

Peak Current @ 8 x 20us waveform..... 10kA
 Clamp Voltage 3, 6 or 24 Volts
 Technology Multi-stage Hybrid
 Response Time < 1ns
 Attenuation <0.1db
 Connectors BNC
Grounding.. Mounting plate/Case must be tied to electrical ground for proper operation

Ordering:

IMG X – XX X

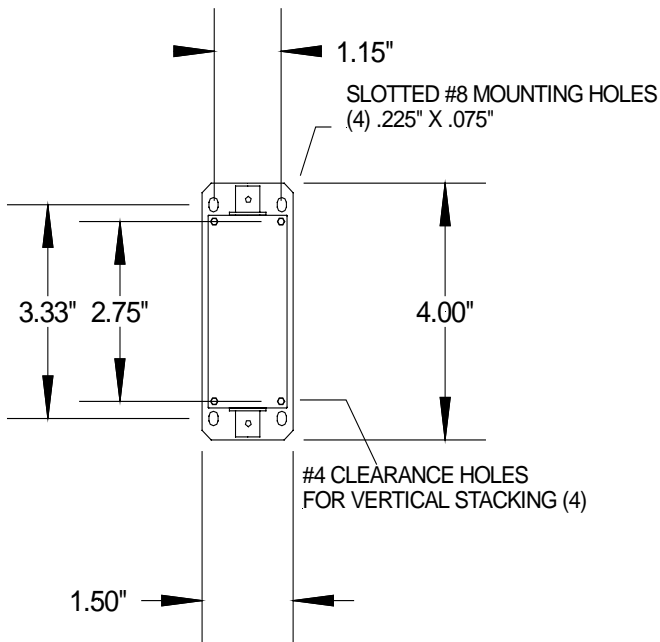
Examples: IMG 1 03 S = 1 channel, 3v clamp, standard
 IMG 2 06 I = 2 channel, 6v clamp, isolated ground

1	1 Channel (1 camera)
2	2 Channel (2 cameras)
03	3V clamp
06	6V clamp
24	24V clamp
S	Standard
I	Isolated shield from ground

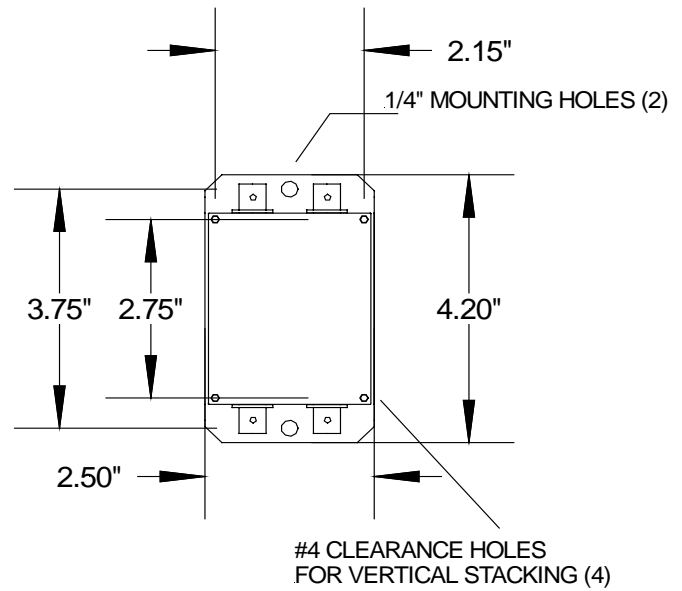
Several mounting plates are available – call for details
 Standard case dimensions shown on back page

Dimensions and Mounting Information:

IMG 01



IMG 02



IMG units may be vertically stacked by removing base plate (4 - #6x32 screws), and utilizing #4x40 mounting screws. No more than 3 units high stack-up recommended.

IMG 02 Vertical Stack

